



Electrolux
PROFESSIONAL

**High Productivity Cooking
Electric Tilting Boiling Pan, 200lt
Hygienic Profile, Freestanding with
Stirrer and Variable Speed**

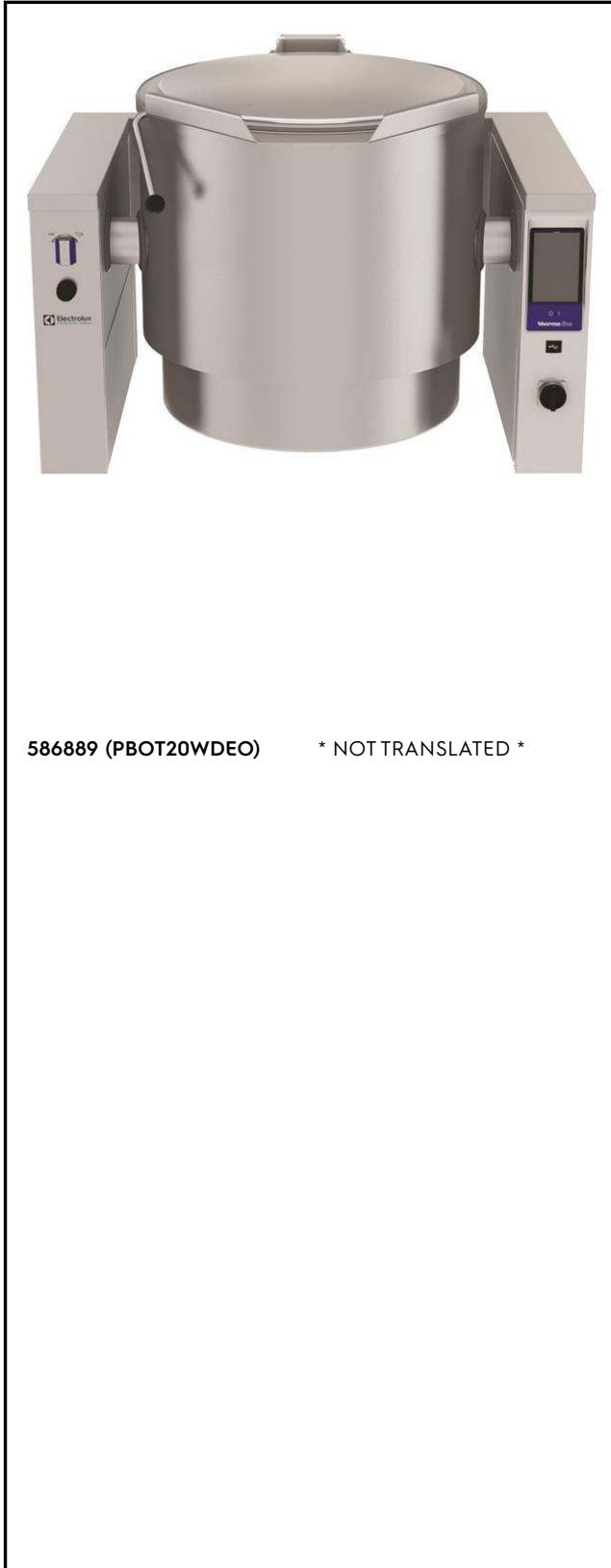
ITEM # _____

MODEL # _____

NAME # _____

SIS # _____

AIA # _____



586889 (PBOT20WDEO) * NOT TRANSLATED *

Main Features

- Kettle is suitable to boil, steam, poach, braise or simmer all kinds of produce.
- Mixing stirrer works at variable speed from 10 to 100 rpm with 3 rotation patterns.
- Kettle is jacketed up to 134 mm from upper rim.
- Isolated upper well rim avoids risk of harm for the user.
- IPX6 water resistant.
- Ergonomic vessel dimensions, with a large diameter and shallow depth facilitates stirring and gentle food handling.
- Edge of the large pouring lip can be equipped with a strainer (option).
- Motorized, variable pan tilting with "SOFT STOP". Tilting and pouring speeds can be precisely adjusted. Pan can be tilted over 90° to facilitate pouring and cleaning operations.
- Built in temperature sensor to precisely control the cooking process.
- USB connection to easily update the software, upload/download recipes and download HACCP data.
- Max pressure of inner jacket at 1.7 bar; minimum working pressure at 1 bar. Allows temperature control between 50 and 110°C.

Construction

- Cooking vessel in 1.4435 (AISI 316L) stainless steel featuring directional pouring lip. Double-jacket in 1.4404 (AISI 316L) stainless steel designed to operate at a pressure of 1.5 bar.
- External panelling and internal frame made of 1.4301 (AISI 304) stainless steel.
- Double-lined insulated lid in 1.4301 (AISI 304) stainless steel mounted on the cross beam of the unit, counterbalanced by a hinge that remains open in all positions.
- Safety valve avoids overpressure of the steam in the double jacket.
- Safety thermostat protects against low water level in the double jacket.
- GuideYou Panel - activated by the user via settings - to easily follow the multiphase recipes, granting a proper and controlled cooking and a better appliance optimization. The system will provide maintenance reminders, in line with ESSENTI
- Highly-visible and bright led TOUCH control panel features user-friendly icons and intuitive self-explanatory command options. Display visualizes:
 - Actual and set temperature
 - Set and remaining cooking time
- Water mixing tap is available as optional accessory to make water filling and pan cleaning easier.
- Ergonomic and user friendly thanks to the high tilting position and the pouring lip design which allow to easily fill containers.
- Front-mounted inclined led "TOUCH" control

APPROVAL: _____



Experience the Excellence
www.electroluxprofessional.com

panel with recessed deep drawn casing, features self-explanatory display functions which guide operator throughout the cooking process: simultaneous display of actual and set temperature as well as set cooking ti

- Possibility to store recipes in single or multiphase cooking process, with different temperature settings.
- Minimised presence of narrow gaps for easier cleaning of the sides to meet the highest hygiene standards.
- Can be prearranged for energy optimisation or external surveillance systems (optional).
- 98% recyclable by weight; packaging material free of toxic substances.

User Interface & Data Management

- Connectivity ready for real time access to connected appliances from remote and data monitoring (requires optional accessory - contact the Company for more details).

Included Accessories

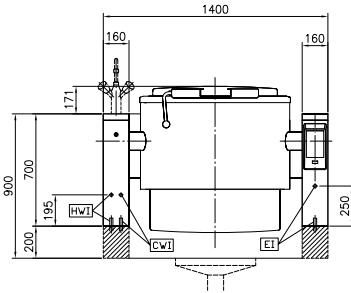
- 1 of Emergency stop button - factory fitted PNC 912784
- 1 of - NOT TRANSLATED - PNC 913544

Optional Accessories

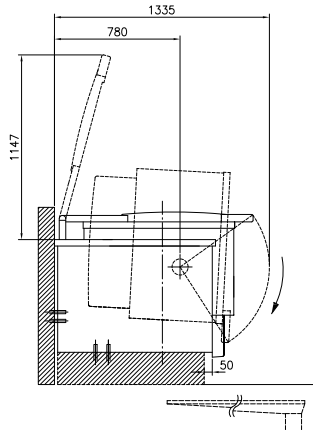
- Strainer for 200lt tilting boiling pans PNC 910005
- Measuring rod for 200lt tilting boiling pans PNC 910046
- Grid stirrer for 200lt boiling pans PNC 910065
- Grid stirrer and scraper for 200lt boiling pans PNC 910095
- Strainer rod for stationary round boiling pans PNC 910162
- BOTTOM PL.+FEET 160X1000X200MM,TILT.PANS PNC 911475
- Stainless steel plinth for tilting units - against wall - factory fitted PNC 911812
- Stainless steel plinth for tilting units - freestanding - factory fitted PNC 911813
- Food tap strainer for tilting boiling pans PNC 911966
- C-board (length 1400mm) for tilting units - factory fitted PNC 912186
- POWER SOCKET CEE-16A / 380V BUILT-IN PNC 912468
- POWER SOCKET CEE-32A / 380V BUILT-IN PNC 912469
- Power socket Schuko typ-23, 16A/230V, built-in version PNC 912470
- Power socket Swiss typ-23, 16A/230V, built-in version PNC 912471
- Power socket Swiss typ-23, 16A/380V, built-in version PNC 912472
- Power Socket, SCHUKO, built-in, 16A/230V, IP55, black - factory fitted PNC 912473
- Power Socket, CEE16, built-in, 16A/230V, IP67, blue-white - factory fitted PNC 912474
- Power Socket, TYP23, built-in, 16A/230V, IP54, blue - factory fitted PNC 912475
- Power Socket, SCHUKO, built-in, 16A/230V, IP54, blue - factory fitted PNC 912476

- Power Socket, TYP25, built-in, 16A/400V, IP54, red-white - factory fitted PNC 912477
- Panelling for plinth recess (depth from 70 to 270mm) for tilting units - factory fitted (Deutschland, Austria, Switzerland) - factory fitted PNC 912479
- Manometer for tilting boiling pans - factory fitted PNC 912490
- Rear closing kit for tilting units - against wall - factory fitted PNC 912706
- Automatic water filling (hot and cold) for tilting units - to be ordered with water mixer - factory fitted PNC 912735
- Kit energy optimization and potential free contact - factory fitted PNC 912737
- Rear closing kit for tilting units - island type - factory fitted PNC 912746
- Lower rear backpanel for tilting units, island type PNC 912770
- Mainswitch 60A, 10mm² - factory fitted PNC 912774
- Spray gun for tilting units - freestanding (height 700mm) - factory fitted PNC 912776
- Food tap 2" for tilting boiling pans (PBOT) - factory fitted PNC 912779
- - NOT TRANSLATED - PNC 913554
- - NOT TRANSLATED - PNC 913555
- - NOT TRANSLATED - PNC 913556
- - NOT TRANSLATED - PNC 913557
- - NOT TRANSLATED - PNC 913567
- - NOT TRANSLATED - PNC 913568
- - NOT TRANSLATED - PNC 913578

Front

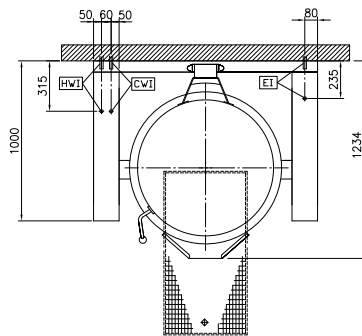


Side



CWI = Cold Water inlet 1 (cleaning)
 EI = Electrical inlet (power)
 HWI = Hot water inlet

Top


Electric

Supply voltage: 400 V/3N ph/50/60 Hz
 Total Watts: 34 kW

Installation:

FS on concrete base; FS on feet; On base; Standing against wall

Type of installation:
Key Information:

Working Temperature MIN: 50 °C
 Working Temperature MAX: 110 °C
 Vessel (round) diameter: 800 mm
 Vessel (round) depth: 490 mm
 External dimensions, Width: 1400 mm
 External dimensions, Depth: 1000 mm
 External dimensions, Height: 700 mm
 Net weight: 400 kg
 Configuration: Round, tilting, with stirrer
 Net vessel useful capacity: 200 lt
 Tilting mechanism: Automatic
 Double jacketed lid: ✓
 Heating type: Indirect